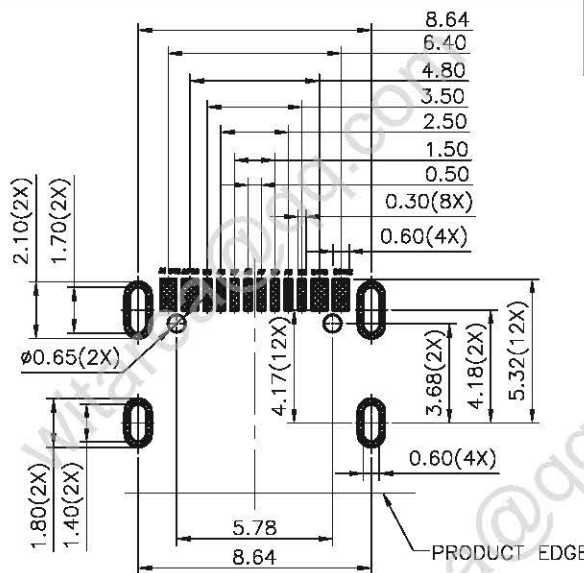


REV	ECN No.	DATE	REMARK
A	NEW	2019.10.21	NEW RELEASE

NOTE:
 1.MECHANICAL PERFORMANCE,
 1-1.INSERTION FORCE: 0.5~2.0kgf.
 1-2.REMOVAL FORCE: 0.8kgf~2.0kgf.
 1-3.DURABILITY: 10000 CYCLES.
 2.ELECTRICAL PERFORMANCE,
 2-1. VOLTAGE RATING:5 V DC/AC (RMS. max)
 CURRENT RATING:5 AMPS. FOR TOTAL VBUS/GND PINS;
 1.25AMPS FOR CC PIN,0.25 AMPS. FOR ALL OTHER CONTACT.
 2-2. LLCR:
 VBUS & GND PINS AND OTHER PINS: 40mΩ/PIN MAX.
 SHIELD: 50mΩ/MAX.
 LLCR MAX. CHANGE OF ALL PINS: 10mΩ.
 2-3.INSULATION RESISTANCE: 100MΩ MIN
 2-4.DIELECTRIC WITHSTAND VOLTAGE,AC 100V FOR 1 MINUTE.
 3.ENVIRONMENTAL PERFORMANCE:
 OPERATING TEMPERATURE: -25°C~+85°C.
 4.IR REFLOW:
 THE PEAK TEMPERATURE ON THE BOARD SHALL BE MAINTAINED FOR 10 SECONDS AT 260°C.



RECOMMENDED PCB LAYOUT(TOP VIEW)
 THICKNESS 0.80MM;DEFAULT TOLERANCE:±0.05

USB TYPE-C PIN ASSIGNMENTS

PIN NUMBER	SIGNAL NAME	PIN NUMBER	SIGNAL NAME
A1	GND	B12	GND
A4	VBUS	B9	VBUS
A5	CC1	B8	SBU2
A6	Dp1	B7	Dn2
A7	Dn1	B6	Dp2
A8	SBU1	B5	CC2
A9	VBUS	B4	VBUS
A12	GND	B1	GND

TYPE:

NO.	DESCRIPTION	MATERIAL	REMARKS	QTY
5	SHELL	SUS304 T=0.30mm	NICKEL 30u" MIN PLATING	1PCS
4	SHIELDING PLATE	SUS301 T=0.15mm	CLEAR ONLY	1PCS
3	DOWN CONTACT	C18400-H T=0.12mm	IN THE USE, PLEASE PLATE ALL THE SURFACE OF THE FUNCTIONAL AREA OF CONTACT.	1SET
2	TOP CONTACT	C18400-H T=0.12mm	IN THE USE, PLEASE PLATE ALL THE SURFACE OF THE FUNCTIONAL AREA OF CONTACT.	1SET
1	HOUSING	PA6T UL94V-0	BLACK	1PCS

深圳市纬域科技有限公司 SHENZHEN WITAREA TECHNOLOGY CO.,LTD		DRAWN BY ANDY YANG	DATE 2019.10.21
TITLE TYPE C 2.0 16PIN RECEPTACLE , TOP-MOUNT, SINGLE ROW SMT, CH=1.68MM,L=7.35MM		CHECKED BY JAMES XIAD	DATE 2019.10.21
DWG.NO. W0026-16-TM1-S1	SHEET NO. 1 OF 1	APPROVED BY JASON ZENG	DATE 2019.10.21
DIMENSION STYLE MM ONLY	DESIGN UNITS METRIC	SCALE 1:1	THIRD ANGLE PROJECTION

QUALITY SYMBOL	0	▽=0	GENERAL TOLERANCES (UNLESS SPECIFIED)
	x.xxxx	±	---
	x.xxx	±	0.10
	x.xx	±	0.25
	x.x	±	0.30
	ANGULAR	±	---

