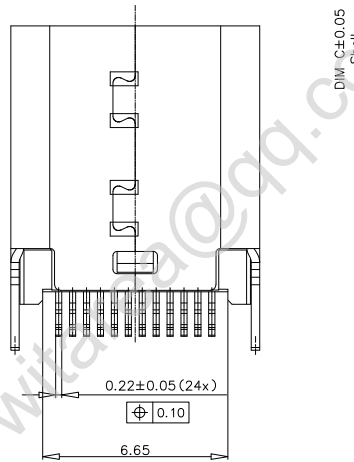
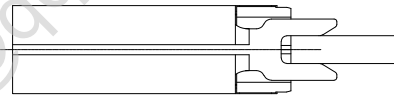
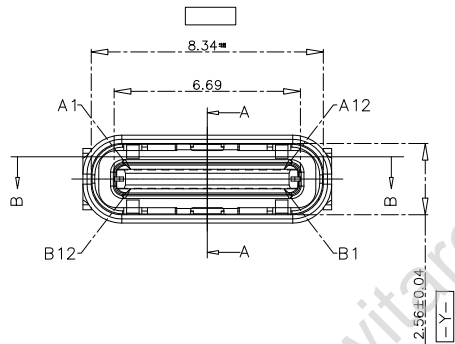
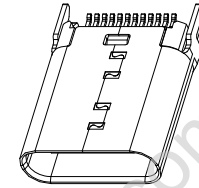
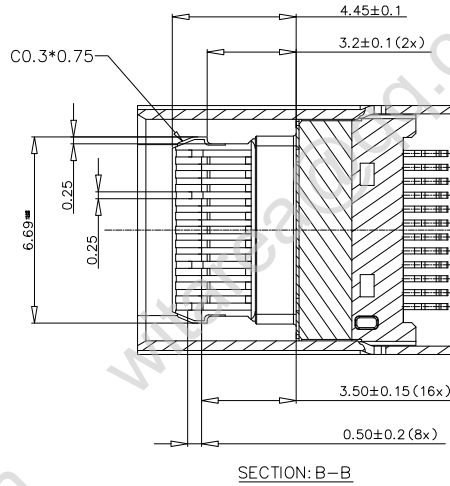
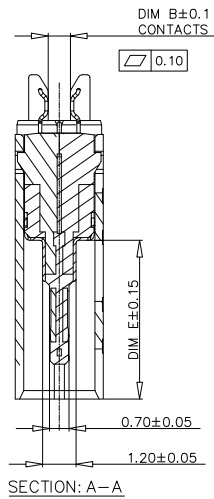
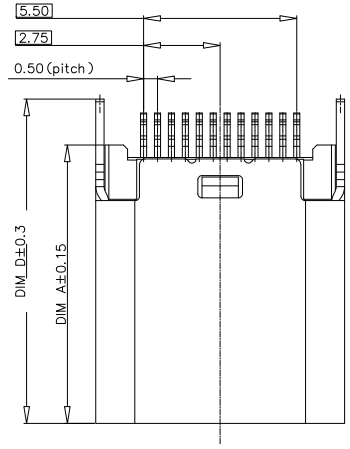


RoHS Compliant

THIS DRAWING CONTAINS INFORMATION THAT IS PROPRIETARY TO WITAREA TECHNOLOGY, AND SHOULD NOT BE USED WITHOUT WRITTEN PERMISSION

REV	ECN No.	DATE	REMARK
A0	NEW	2019.06.18	NEW RELEASE



NOTES:

- ELECTRICAL CHARACTERISTICS:
 - Contact current rating: 5.0A for Vbus pin and its corresponding GND pin. 0.25A min for all other contact.
 - Contact resistance: 30 Milliohms Max for Vbus and GND contact. 50 Milliohms Max for all other contact.
 - Dielectric withstanding voltage: 100V AC Min.
 - Insulation resistance: 100 Megohms Min.
- MECHANICAL CHARACTERISTICS:
 - Connector insertion force: 5~20N. At a maximum rate of 12.5mm per second.
 - Connector extraction force: 8~20N. At a maximum rate of 12.5mm per second.
 - Durability: 10000 cycles.
 - Operating temperature: -55C~+85C.
- DIMENSIONS ARE IN MILLIMETERS, BRACKETED DIMENSIONS ARE INCHES EQUIVALENTS.
- THE CONNECTOR IS ROHS COMPLIANT AND HALOGEN FREE COMPLIANT.

NO.	DESCRIPTION	QTY.	MATERIAL	TREATMENT
④	EMI LATCH	1	STAINLESS STEEL	NICKEL PLATED OVERALL, TAB WITH LEAD FREE TIN ALLOY.
③	CONTACT	24	COPPER ALLOY	NICKEL UNDERPLATING OVER ALL, GOLD PLATING AT CONTACT AREA, LEAD FREE TIN ALLOY AT TERMINATION.
②	SHELL	1	STAINLESS STEEL	CLEAN.
①	HOUSING	2	THERMOPLASTIC UL 94V-0	MOLDED COLOR: BLACK.

PART NO.: SEE THE PART NUMBER CODE

QUALITY SYMBOL $\nabla = 0$

GENERAL TOLERANCES (UNLESS SPECIFIED)

x.xxxxx	± ---
x.xxx	± 0.10
x.xx	± 0.25
x.x	± 0.30
ANGULAR	± ---°

深圳市纬域科技有限公司
SHENZHEN WITAREA TECHNOLOGY CO., LTD

TITLE: USB TYPE C F, 夹板 0.8, H=xx mm, L=xx mm

DWG. NO. W0026-24-EMI-S7X

DESIGN UNITS: METRIC

SCALE: 1:1

DRAWN BY: SAM DATE: 2019.06.18

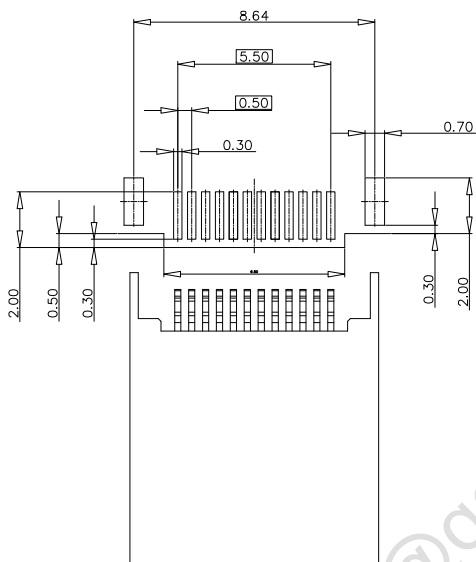
CHECKED BY: JAY DATE: 2019.06.18

APPROVED BY: JACKY DATE: 2019.06.18

THIRD ANGLE PROJECTION

A1	A2	A3	A4	A5	A6	A7	A8	A9	A10	A11	A12
GND	TX1+	TX1-	Vbus	CC1	D+	D-	SBU1	Vbus	RX2-	RX2+	GND
GND	RX1+	RX1-	Vbus	SBU2	D-	D+	CC2	Vbus	TX2-	TX2+	GND
B12	B11	B10	B9	B8	B7	B6	B5	B4	B3	B2	B1

REV	ECN No.	DATE	REMARK
A0	NEW	2019.06.18	NEW RELEASE



RECOMMENDED P.C.B. LAYOUT (T:0.80/1.0mm)
TOLERANCE UNSPECIFIED ±0.05mm

4.PART NUMBER CODE:(产品料号)

W0026-24-EM1-S7X-NSC1H1T3P1

1. 铁壳颜色:

SN: Silver Nickle
BN: Black Nickle

2. 铁壳镀镍厚度 SHELL COATING

C1
C2
C3
C4

3.HSG color 胶芯颜色 材质

H1 LCP BLACK 黑色
H2 LCP ORANGE 橙色

4. 针镀金厚度 TERMINAL

T1,接触区3u",焊接区1u"
T2,接触区15u",焊接区1u"
T3,接触区30u",焊接区1u"
T4,半金锡3u" Half Gold/ Tin Plating

5. 包装方式

P1: TAPE AND REEL;
P2: TUBE RAILS,
P3: CUT TAPE REEL,
P4,BULK

NO.	DIM A	DIM B	DIM C	DIM D	DIM E	PN
1	8.8	0.8	0.8	10.45	4.5	S7A
2	8.8	0.8	1.0	10.45	4.5	S7B
3	8.8	1.2	1.2	10.45	4.5	S7C
4	9.3	0.8	0.8	10.95	5.0	S7D
5	9.3	0.8	1.0	10.95	5.0	S7E
6	9.3	1.2	1.2	10.95	5.0	S7F
7	10.0	0.8	0.8	11.65	5.7	S7G
8	10.0	0.8	1.0	11.65	5.7	S7H
9	10.0	1.2	1.2	11.65	5.7	S7I
10	10.5	0.8	0.8	12.15	6.2	S7J
11	10.5	0.8	1.0	12.15	6.2	S7K
12	10.5	1.2	1.2	12.15	6.2	S7L

QUALITY SYMBOL 	PART NO.:		SEE THE PART NUMBER CODE		深圳市纬域科技有限公司 SHENZHEN WITAREA TECHNOLOGY CO., LTD		DRAWN BY SAM	DATE 2019.06.18	
	GENERAL TOLERANCES (UNLESS SPECIFIED)		TITLE		USB TYPE C F,夹板0.8, H= xx mm,L=xx mm		CHECKED BY JAY	DATE 2019.06.18	
	x.xxxx	±	---	DWG.NO.	W0026-24-EM1-S7X	SHEET NO.	2	OF	2
	x.xxx	±	0.10	DIMENSION STYLE		DESIGN UNITS	SCALE	THIRD ANGLE PROJECTION	
x.xx	±	0.25	MM ONLY		METRIC	1:1			
x.x	±	0.30							
ANGULAR	±	---							