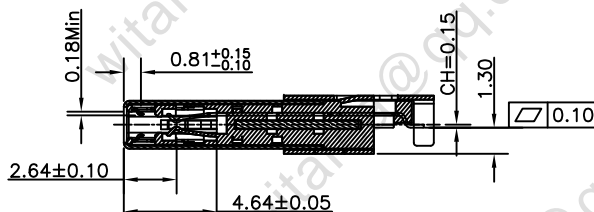
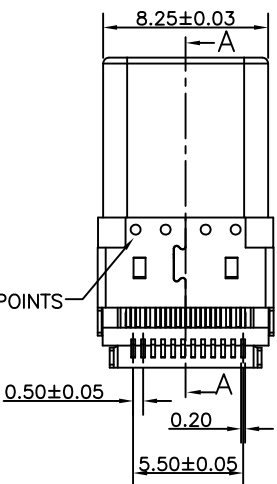
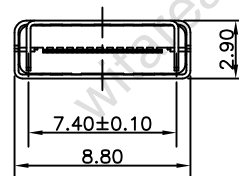
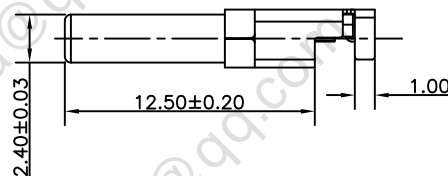
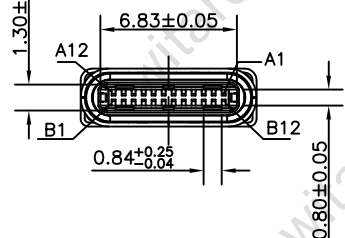
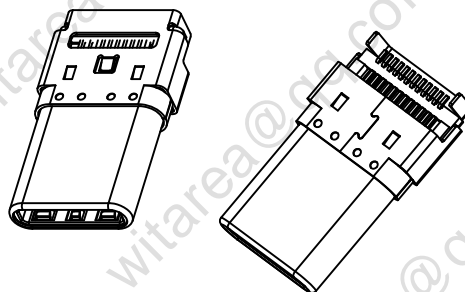
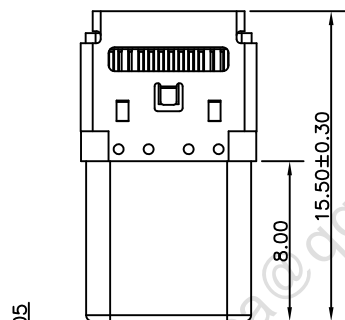


REV	ECN No.	DATE	REMARK
A0	NEW	2019.05.13	NEW RELEASE



NOTE:

- Electrical Characteristics:  
Current Rating: 5A For Pin(A4,A9,B4,B9)  
1.25A For Others Pin  
Insulation Resistance: 100MΩ Min.  
Contact Resistance: 40 mΩ Max.  
Dielectric Withstanding Voltage:100V/AC 1Minute
- Mechanical Characteristics:  
Insertion Force: 5~20N  
Extraction Force: Initial: 8~20N  
After durability: 6~20N  
Durability :10000 Cycles
- Salt Spray :24H
- Operating Temperature: -30°C TO +85°C



⑤	Shield	1	Stainless Steel	Bright Nickel Plating
⑥	Housing	4	LCP	Color: Black
④	Latch	1	Stainless Steel	
③	Contact	24	Copper Alloy	3u" gold plated on Contact area, Matte Tin plated on Solderails, Nickel underplating over all
②	Emc Spring	2	Stainless Steel	
①	Shell	1	Stainless Steel	Bright Nickel Plating
ITEM	NAME	QTY.	MATERIAL	DESCRIPTION

MATERIAL NO.:

PART NUMBER CODE

REVIEW TABLE FOR DETAILS

QUALITY SYMBOL	0	GENERAL TOLERANCES (UNLESS SPECIFIED)
	x.xxxxx	± ---
	x.xxx	± 0.10
	x.xx	± 0.25
	x.x	± 0.30
	ANGULAR	± ---

SHENZHEN WITAREA TECHNOLOGY CO., LTD.

TITLE  
U.S.B TYPE C PLUG SMT MIDDLE  
MOUNT RIGHT ANGLE L=15.5MM

DOCUMENT NO.  
W0025-24-MM1-S2

SHEET NO.  
1 OF 2

DIMENSION STYLE  
MM ONLY

DESIGN UNITS  
METRIC

SCALE  
5:1

DRAWN BY  
SAM

CHECKED BY  
JAY

APPROVED BY  
JACKY

DATE  
2019.05.13

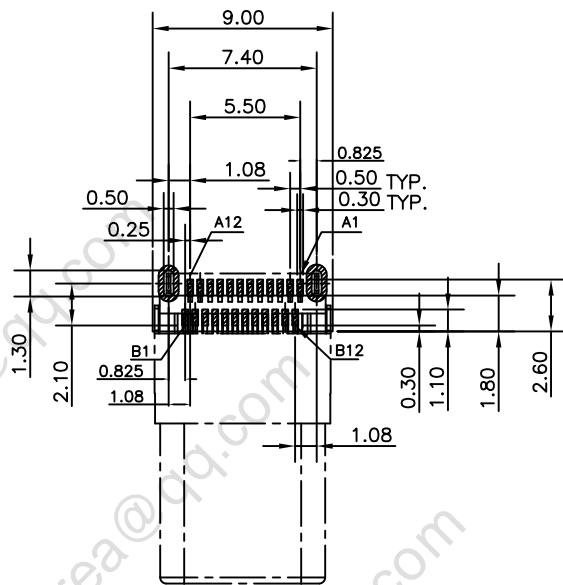
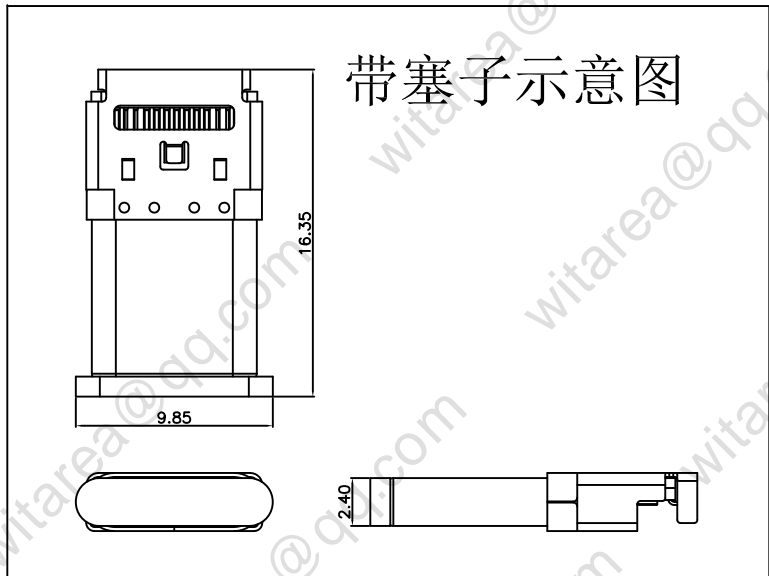
DATE  
2019.05.13

DATE  
2019.05.13

THIRD ANGLE  
PROJECTION

frame size: A4

REV	ECN No.	DATE	REMARK
A0	NEW	2019.05.13	NEW RELEASE



USB TYPE-C FULL-FEATURED RECEPTACLE INTERFACE PIN ASSIGNMENTS

PIN	Signal Name	Description	PIN	Signal Name	Description
A1	GND	Ground return	B12	GND	Ground return
A2	SSTXp1	Positive half of first SuperSpeed TX differential pair	B11	SSRXp1	Positive half of first SuperSpeed RX differential pair
A3	SSTXn1	Negative half of first SuperSpeed TX differential pair	B10	SSRXn1	Negative half of first SuperSpeed RX differential pair
A4	Vbus	Bus Power	B9	VBUS	Bus Power
A5	CC1	Configuration Channel	B8	SBU2	Sideband Use(SBU)
A6	Dp1	Positive half of the USB 2.0 differential pair—Position 1	B7	Dn2	Positive half of the USB 2.0 differential pair—Position 2
A7	Dn1	Negative half of the USB 2.0 differential pair—Position 1	B6	Dp2	Negative half of the USB 2.0 differential pair—Position 2
A8	SBU1	Sideband Use(SBU)	B5	CC2	Configuration Channel
A9	VBUS	Bus Power	B4	VBUS	Bus Power
A10	SSRXn2	Negative half of second SuperSpeed RX differential pair	B3	SSTXn2	Negative half of second SuperSpeed TX differential pair
A11	SSRXp2	Positive half of second SuperSpeed RX differential pair	B2	SSTXp2	Positive half of second SuperSpeed TX differential pair
A12	GND	Ground return	B1	GND	Ground return

RECOMMENDED P.C.B. LAYOUT  
T=0.80 OR 1.00mm

TOLERANCE UNSPECIFIED ±0.05mm

MATERIAL NO.:

PART NUMBER CODE  
REVIEW TABLE FOR DETAILS

QUALITY SYMBOL	0	GENERAL TOLERANCES (UNLESS SPECIFIED)
	0	x.xxxx ± ---
	0	x.xxx ± 0.10
	0	x.xx ± 0.25
	0	x.x ± 0.30
0	ANGULAR	± ---

SHENZHEN WITAREA TECHNOLOGY CO., LTD.		DRAWN BY SAM	DATE 2019.05.13
TITLE U.S.B TYPE C PLUG SMT MIDDLE MOUNT RIGHT ANGLE L=15.5MM		CHECKED BY JAY	DATE 2019.05.13
DOCUMENT NO. W0025-24-MM1-S2	SHEET NO. 2 OF 2	APPROVED BY JACKY	DATE 2019.05.13
DIMENSION STYLE MM ONLY	DESIGN UNITS METRIC	SCALE 5:1	THIRD ANGLE PROJECTION